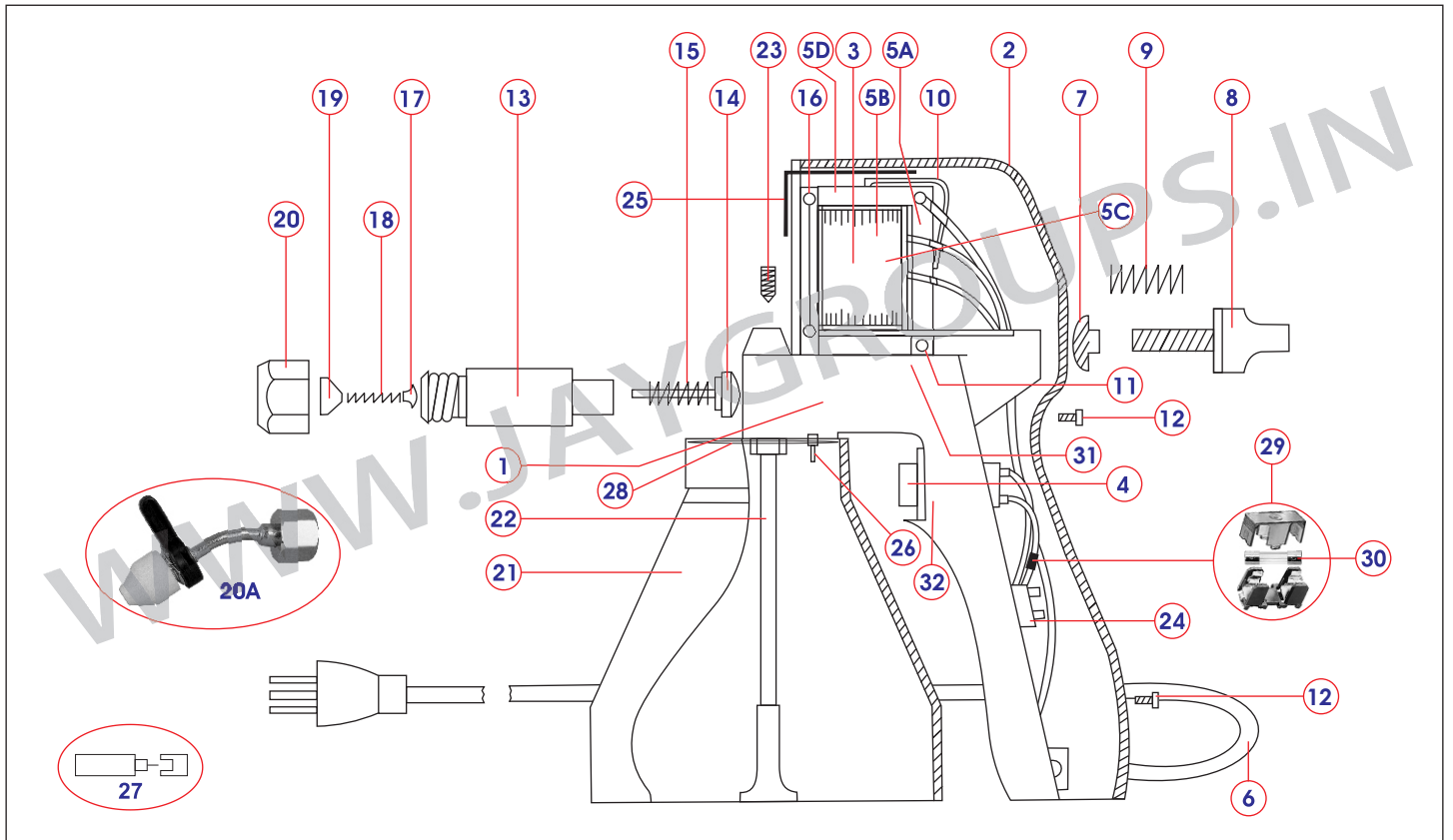


ARROW®

TEXTILE CLEANING SPRAY GUNS

PARTS LIST FOR CM16 / CM16A



| Part No. | Item |
|----------|--|
| 1 | Gun Housing |
| 2 | Gun Housing Cap |
| 3 | Inductor Coil (220V/50Hz, Coil Only) |
| 4 | Trigger Switch Assembly |
| 5A | I Core |
| 5B | E Core with Coil |
| 5C | Coil Full Set (E Core + Coil + I Core) |
| 5D | E Core Only |
| 6 | Electric Wire |
| 7 | Buffer Nut |
| 8 | Pressure Control Knob |
| 9 | Pressure Control Knob Spring |
| 10 | Coil Spring |
| 11 | Coil Pin |
| 12 | Gun Housing Screws (2 pcs) |
| 13 | Pump Cylinder |
| 14 | Piston |
| 15 | Piston Spring |
| 16 | Coil Locking Pin |

| Part No. | Item |
|----------|---|
| 17 | Delivery Valve Cone |
| 18 | Delivery Valve Spring |
| 19 | Swirl Head (17, 18, 19 Form a Set) |
| 20 | Nozzle - Straight |
| 20A | Nozzle - Adjustable |
| 21 | Solvent Jar |
| 22 | Suction Pipe With Filter |
| 23 | Conical Screw |
| 24 | Connector Block |
| 25 | Hook |
| 26 | Overflow Insert |
| 27 | Nozzle Cleaner |
| 28 | Jar Washer |
| 29 | Fuse Assembly (Fuse Holder, Glass Fuse & Fuse Holder Cover) |
| 30 | Glass Fuse, 800 mA |
| 31 | Coil Bush |
| 32 | Switch Locking Ring |